

feather & black

Marblehead Storage Bedstead King/Double

IMPORTANT READ CAREFULLY RETAIN FOR FUTURE REFERENCE

Thank you for buying the Marblehead Storage Bedstead King/Double

- Please take a few quiet minutes to read these instructions
- This product contains small parts, keep small children clear of the assembly area
- It is recommended that this product is assembled by two adults.
- Lay out the parts on a clean, flat surface and compare with the parts checklist. Save all packaging until assembly is complete to avoid accidentally discarding fittings

PRODUCT SAFETY

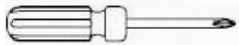
- All assembly fastenings should always be tightened properly and care should be taken that no fittings are loose

PRODUCT CARE

- Wipe clean using a soft damp cloth followed by a dry cloth
- Do not use abrasives or cleaning products which may contain ammonia or solvents
- Take care when handling or moving the furniture. Careless handling can damage wooden furniture, try to lift rather than drag
- Colour may vary due to this being a natural product

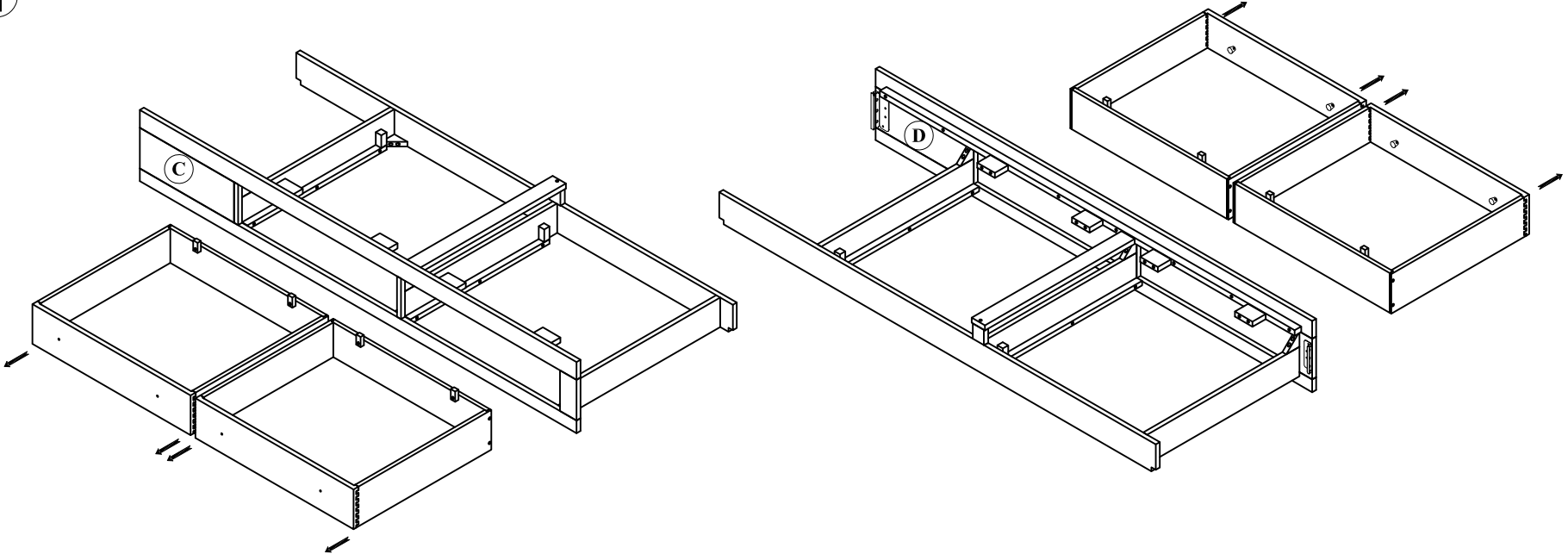
TOOLS REQUIRED

- Please use Philips Head Screwdriver (not included) and Allen key part G (included) to assemble the Storage Bedstead King/ Double.

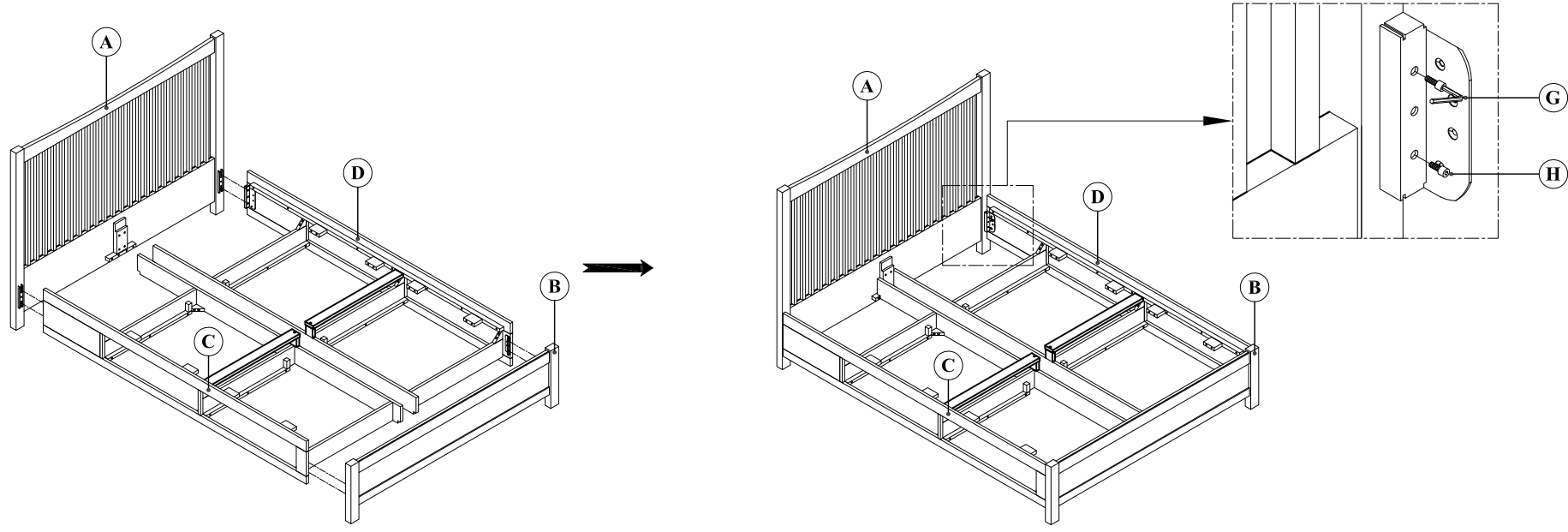


	PARTS	QTY
A		1PC
B		1PC
C		1PC
D		1PC
E		2PCS
F		1PC
G		1PC
H		8PCS
I		8PCS

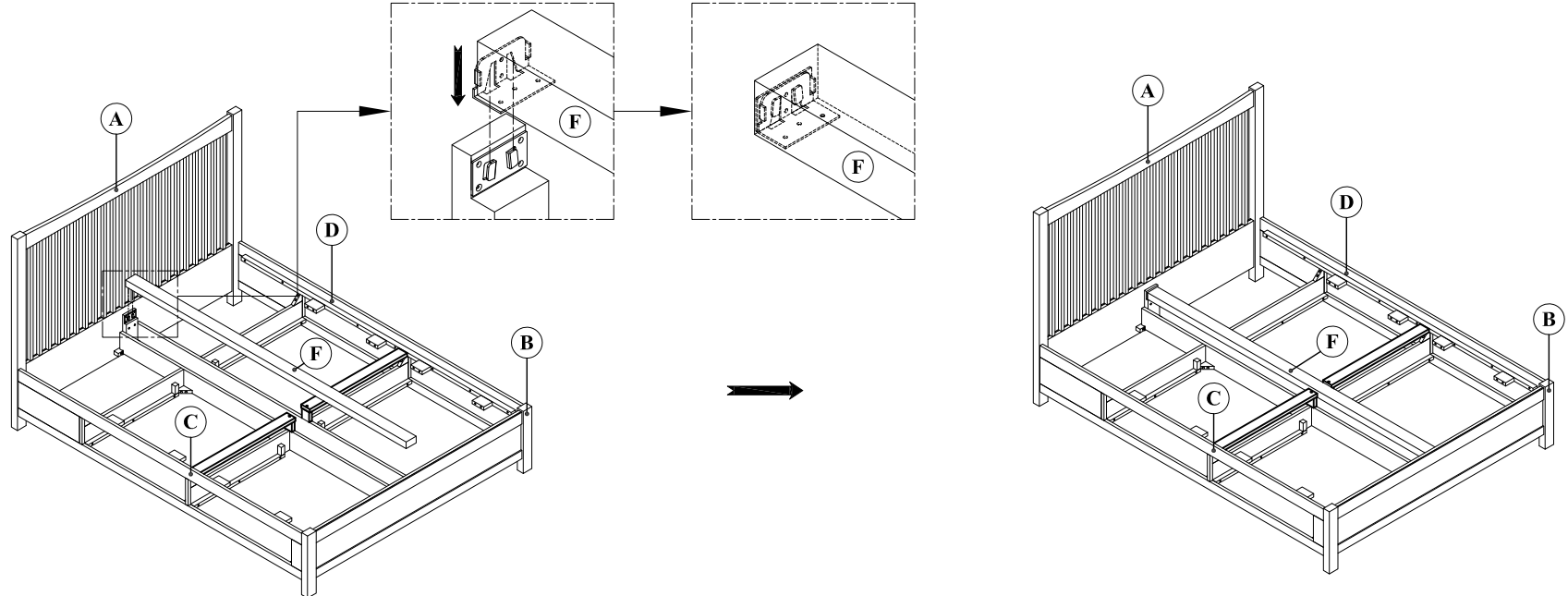
1



2



3



4

